

BH-250 Series
PV DC Isolation Switch



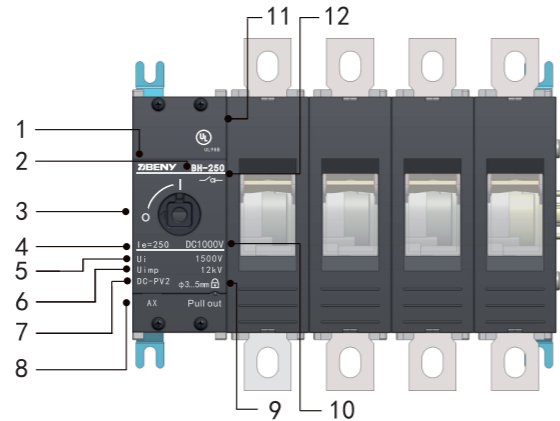
UL98B

- 1 Brand
- 2 Model
- 3 On Off
- 4 Rated Current
- 5 Nominal Insulation Voltage
- 6 Rated Withstand Voltage
- 7 Utilization Category
- 8 Auxiliary Contact
- 9 Lockable Handle
- 10 Rated Voltage
- 11 Certificate Mark
- 12 Electrical Symbol

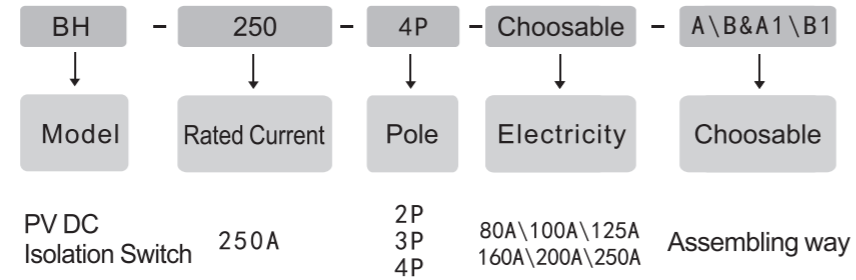
Application

ZBENY BH-250 series photovoltaic DC isolating switch is suitable for the solar PV systems circuit rated voltage DC 1500V and below, rated current 250A and below. The dc switch plays a role of isolating and breaking the solar DC circuits, provide safety to the solar.

Appearance Introduction

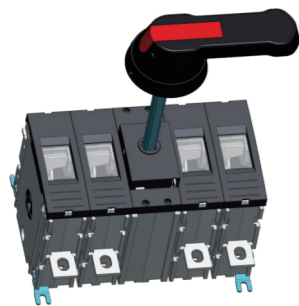


Type Instruction



Parameter

Electrical Characteristics		
Rated Working Voltage	Ue	1000V \ 1500V
Rated Current	Ie	250A
Rated impulse withstand voltage	Uimp	12kV
Rated short-time withstand current (1s)	Icw	8kA
Rated short-circuit making capacity	Icm	10kA
Rated conditional short-circuit current(kA)		15kA
Installation Environment		
Utilization category DC		DC-PV2
Number of cycles of operation(With current)		Ie < 250A=1000; 250A ≤ Ie=400
Number of cycles of operation(Without current)		1000
Pole		2\3\4
Mounting		Base Screws Mounting
Screws for mounting(M5)		2.0~3.0N.m
Wiring Screw(M8)		acc.IEC 60947-1 10~15N.m
Ambient temperature allowed between		-40°C ~ +85°C
Storage temperature allowed between		-40°C ~ +85°C
Relative Humidity		90%
Pollution degree		3
IP rating terminals		IP20
Outside the ark handle		IP66
Rated duty		Unintermittent duty
UV resistance		Yes (only with dedicated individual enclosure)



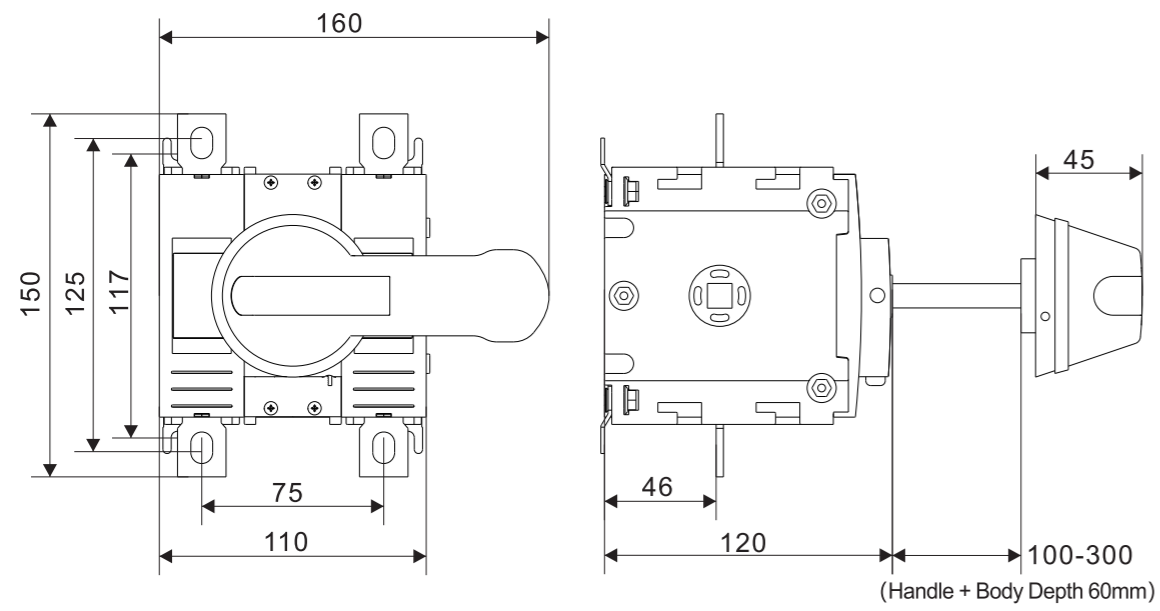
Wiring Graph

Model	Wiring Graph	Ue rated operational voltage DC Volts	Rated operational current	Poles in series	Number of Strings
BH-250-2P 		1000V	80A\100A\125A 160A\200A\250A	2	1
	Example 				
BH-250-4P 		1000V	80A\100A\125A 160A\200A\250A	2	2
	Example 				
BH-250-3P 		1500V	80A\100A\125A 160A\200A\250A	2	1
	Example 				

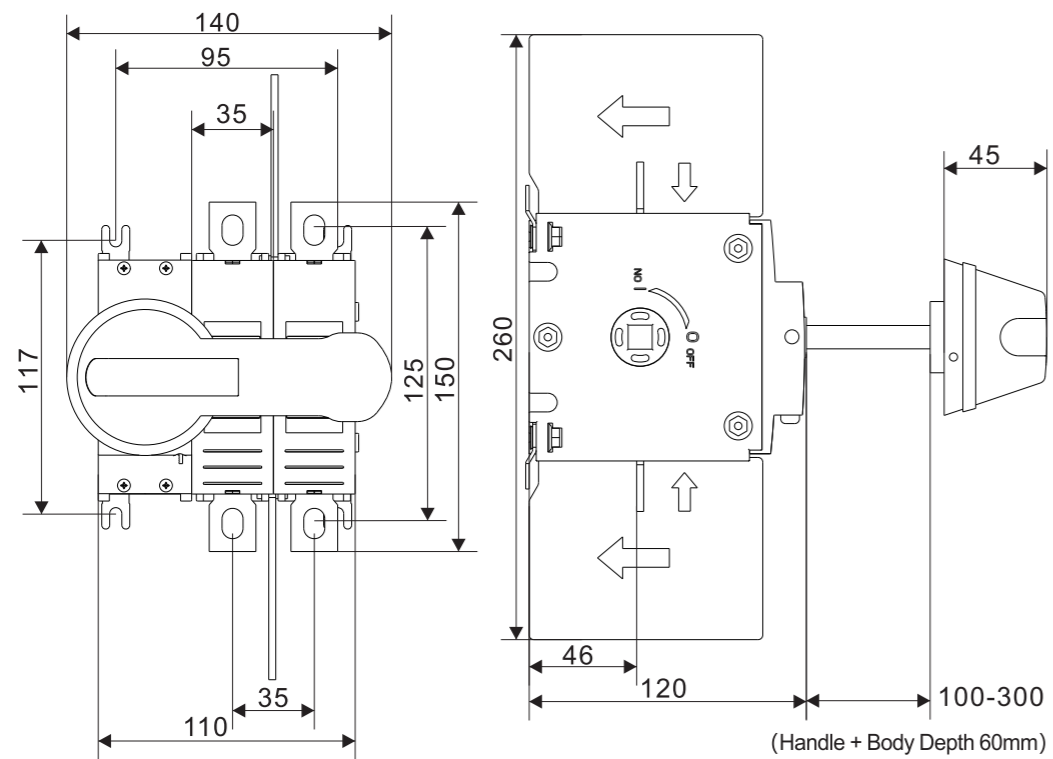
Model	Front Operation			The side operation	
	\	A	B	A1	B1
BH-250-2P					
BH-250-3P					
BH-250-4P					

Dimension (mm)

BH-250-2P

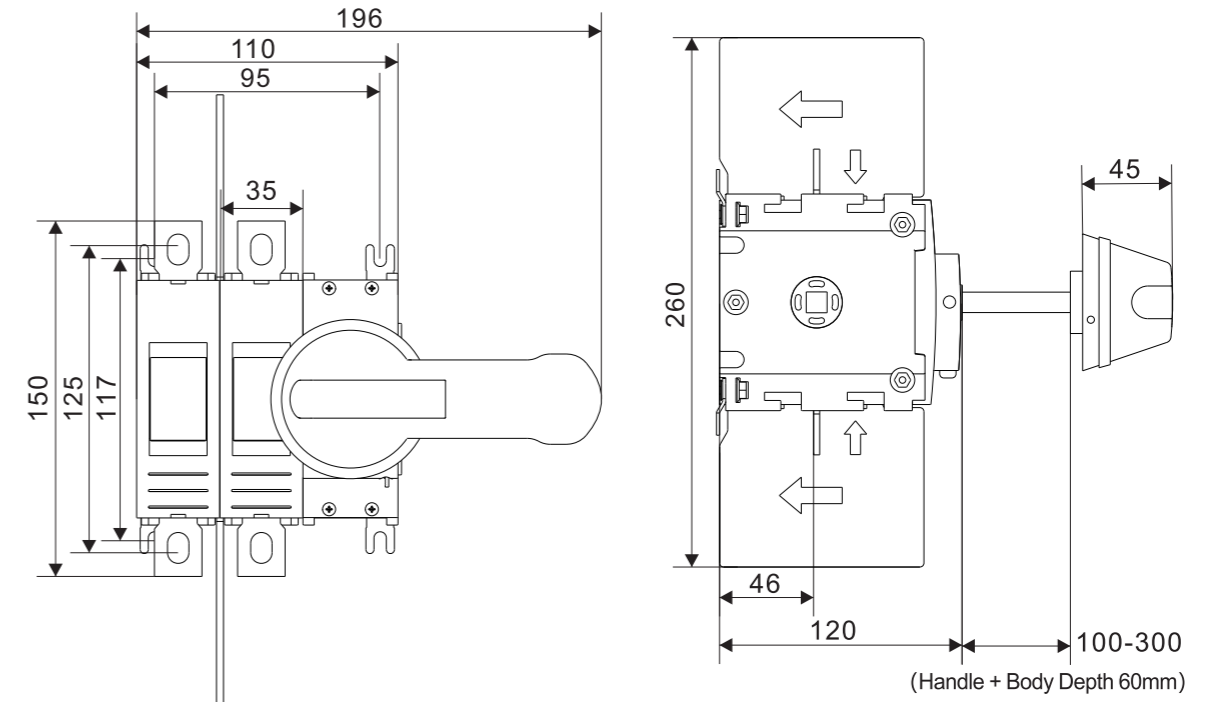


BH-250-2P.A

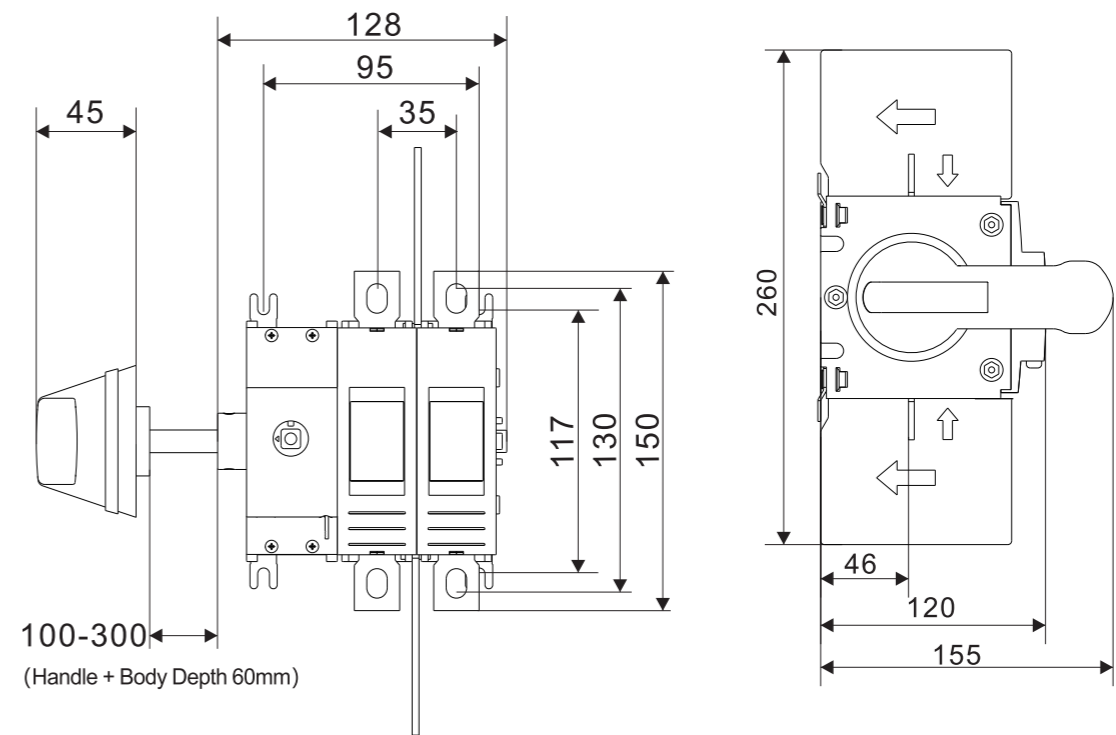


Dimension (mm)

BH-250-2P.B

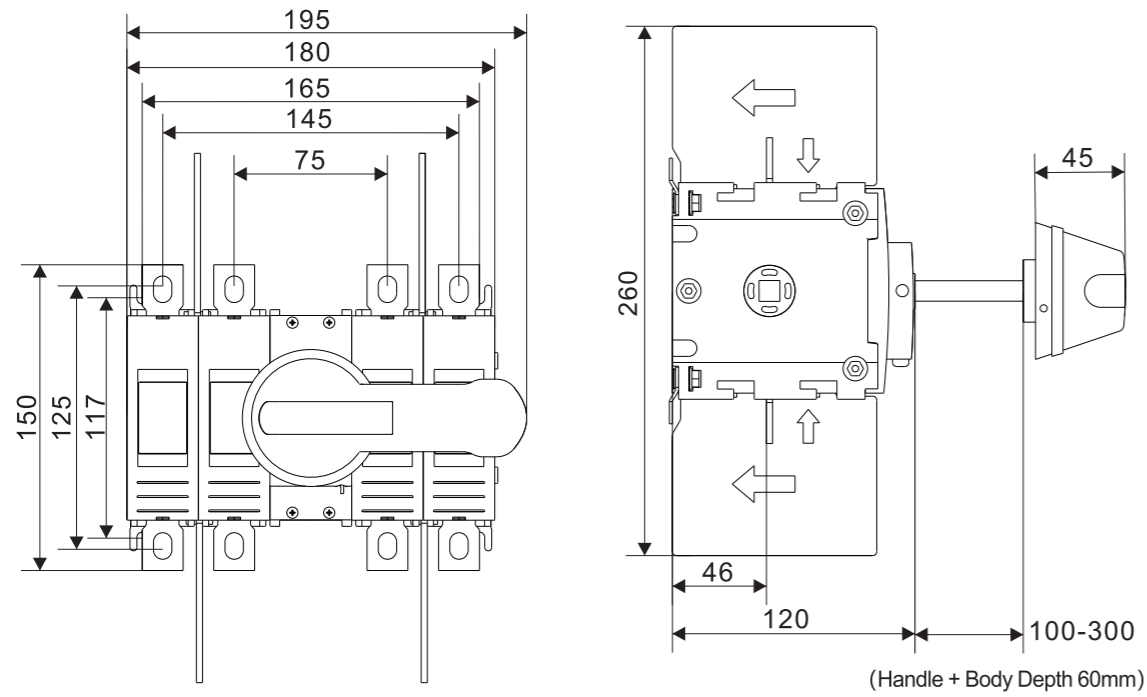


BH-250-2P-A1&B1

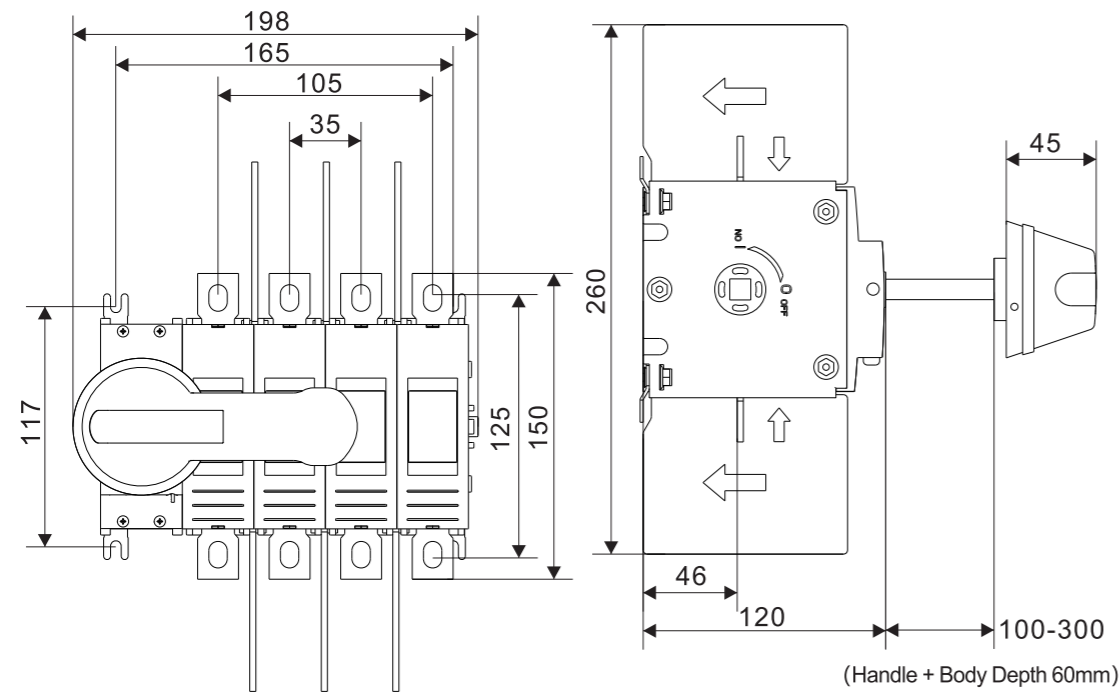


Dimension (mm)

BH-250-4P

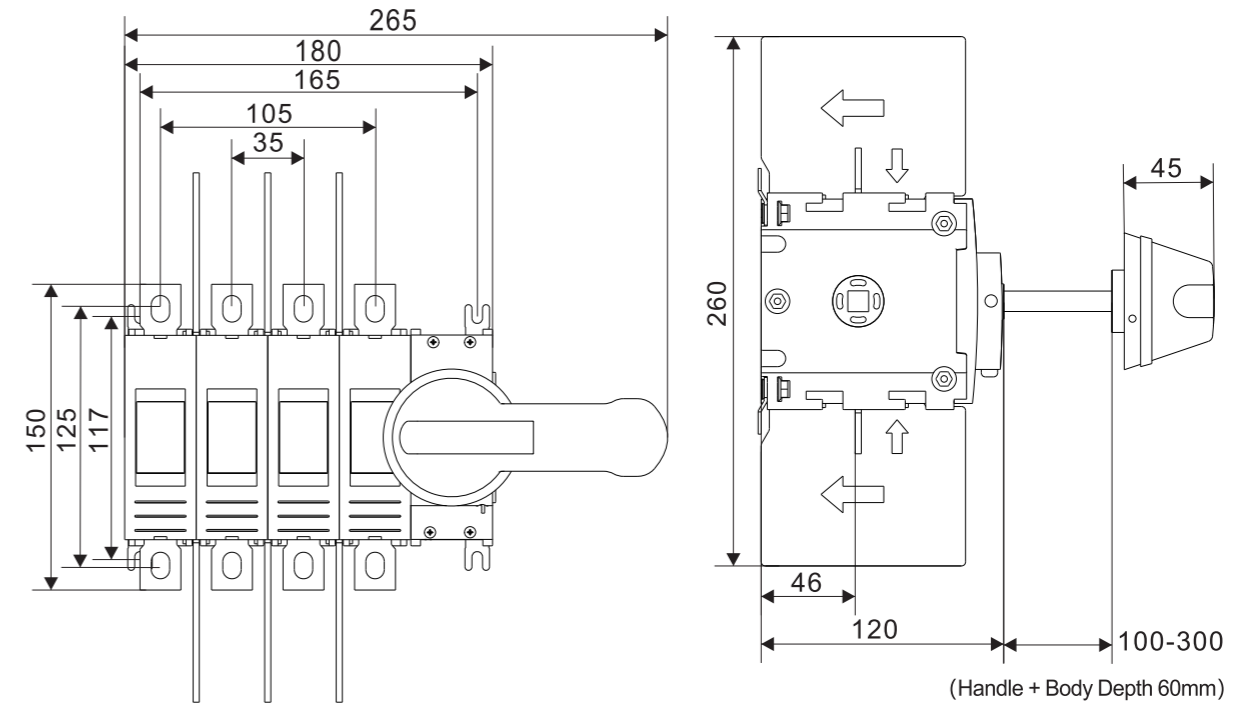


BH-250-4P.A

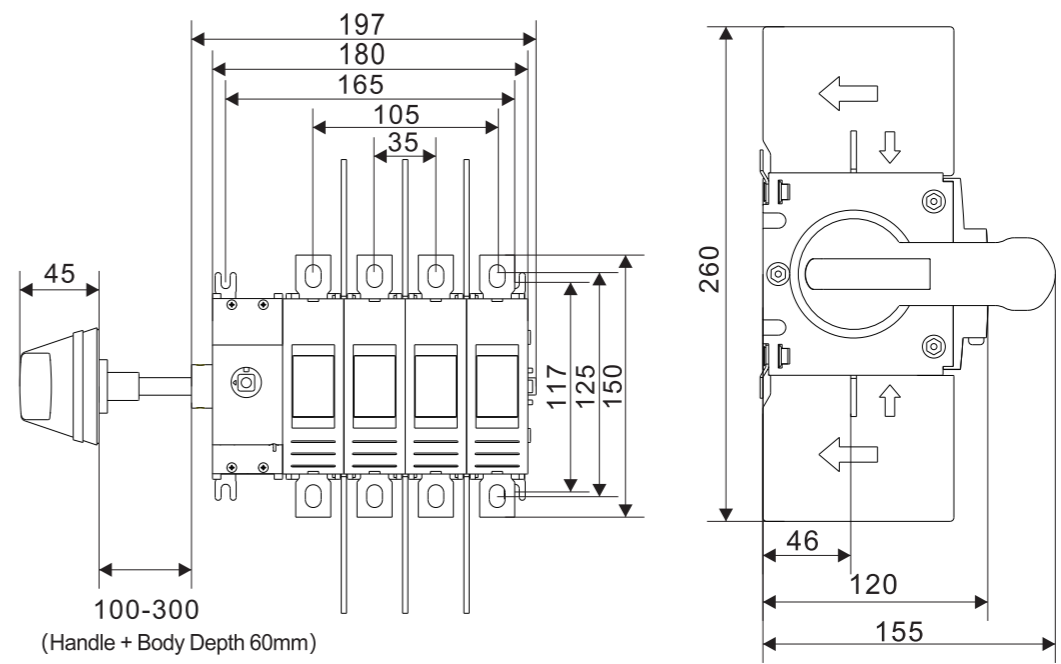


Dimension (mm)

BH-250-4P.B

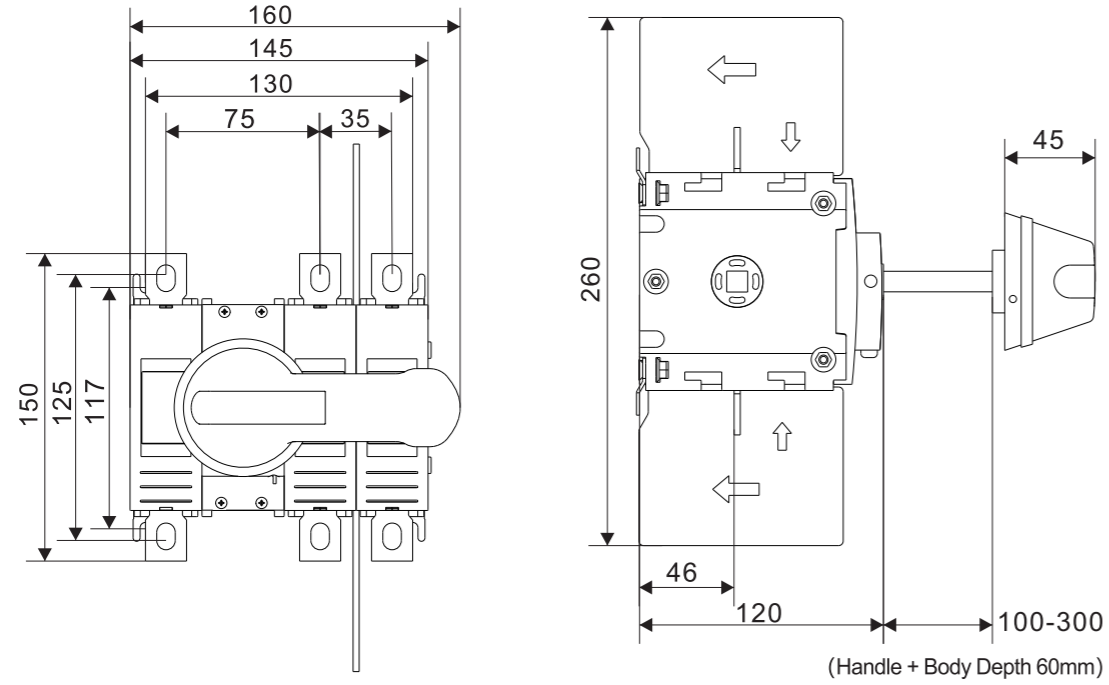


BH-250-4P-A1&B1

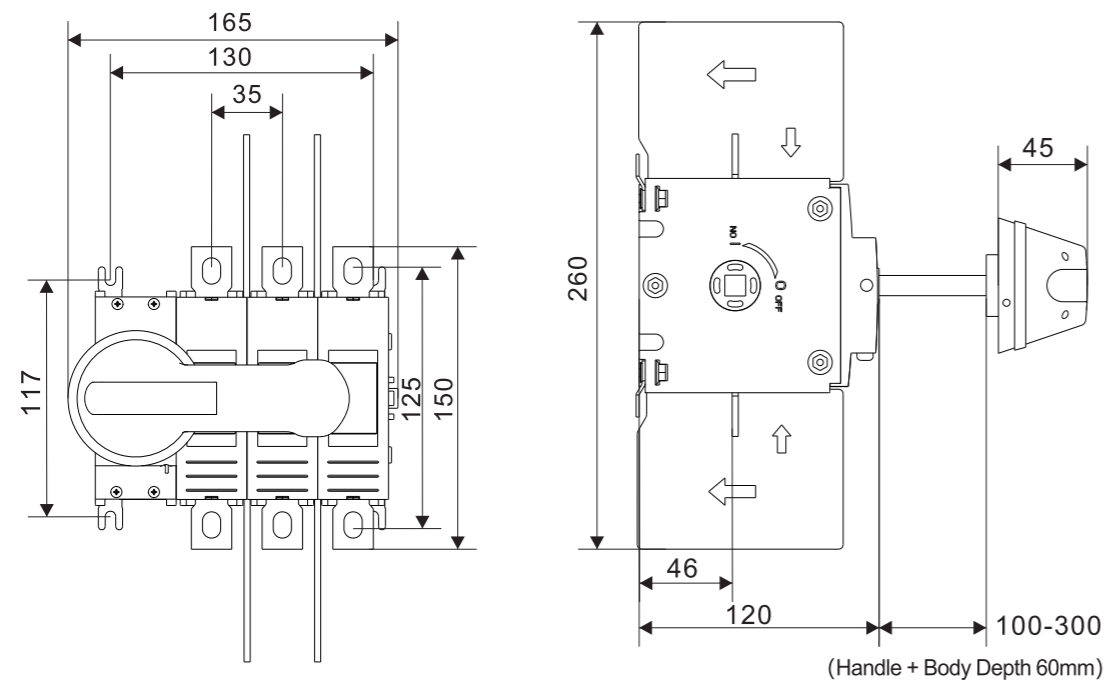


Dimension (mm)

BH-250-3P

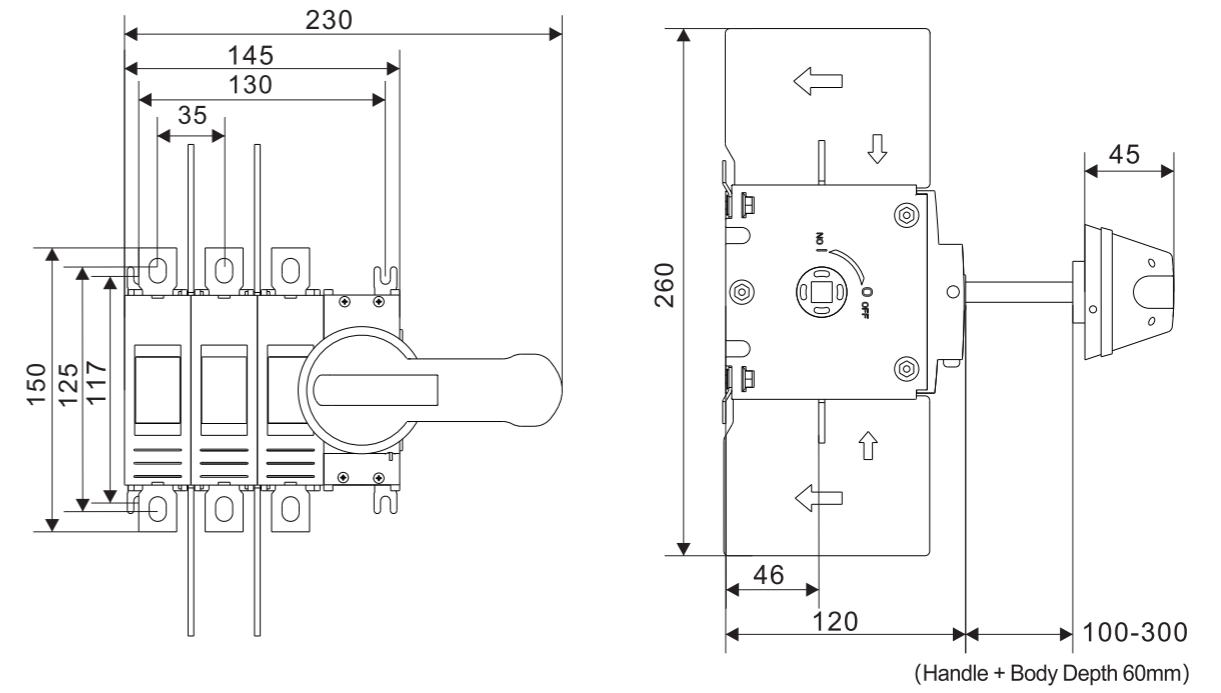


BH-250-3P.A

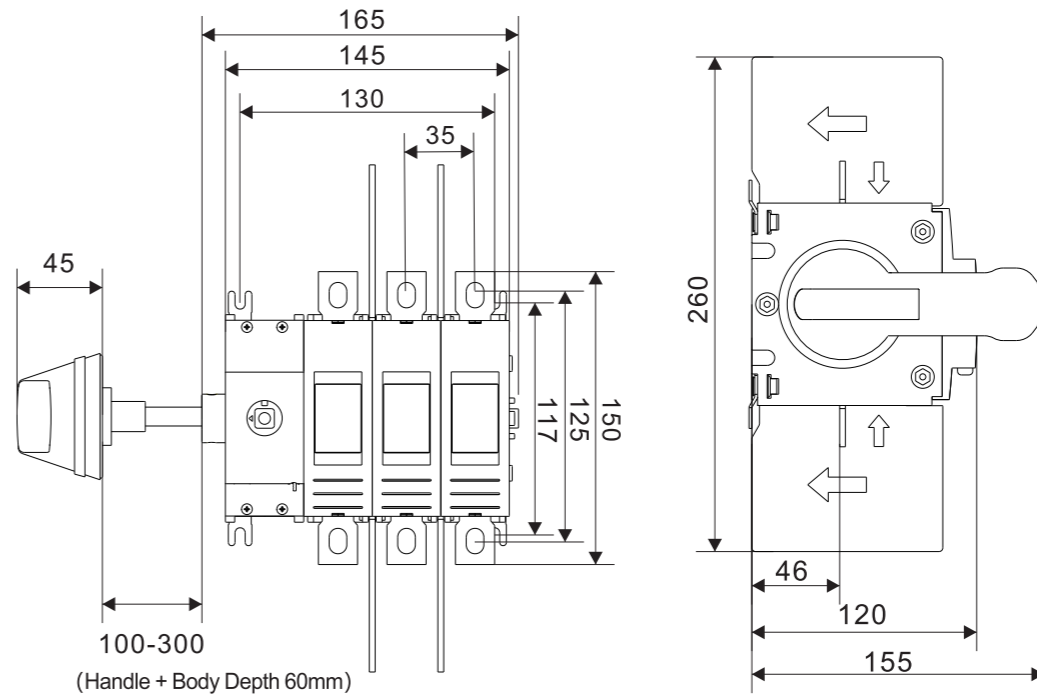


Dimension (mm)

BH-250-3P.B



BH-250-3P-A1&B1



Installation and use

The connecting conductor shall be copper conductor or equivalent copper row. The sectional area shall be selected according to the table

Rated current (A)	80A	100A	125A	160A	200A	250A
The area of a wire or copper conductor mm ²	25mm ²	35mm ²	50mm ²	70mm ²	95mm ²	120mm ²

WARNING Verify that

all connections (including bridging link connections) are suitable for the rated current, prepared to ensure only conductive parts are clamped and tightened to the manufacturers required torque before energization.

Accessory

Name	The attachment list
standard configuration	<input checked="" type="checkbox"/> Handle
	<input checked="" type="checkbox"/> The connecting square shaft is 150mm long
	<input checked="" type="checkbox"/> Arc Barrier
	<input checked="" type="checkbox"/> Binding Screw
apolegamy	<input type="checkbox"/> Auxiliary contacts-see item
	square shaft <input type="checkbox"/> 200mm <input type="checkbox"/> 300mm
other requirements	

ZHEJIANG BENYI ELECTRICAL CO., LTD

Address: Wenzhou Bridge Industrial Zone, Beibaixiang Town, Zhejiang China

TEL: +86-577-5717 7222

FAX: +86-577-5717 7007

Email: benyi@zjbeny.com

Http: // www.zjbeny.com

This catalogue has been printed on ecological paper.

Zhejiang Benyi Electrical Co., Ltd. all rights reserved.

If the models and specifications in this product catalogue is changed due to the change of products, we will not inform.



Scan it to ZBENY website!